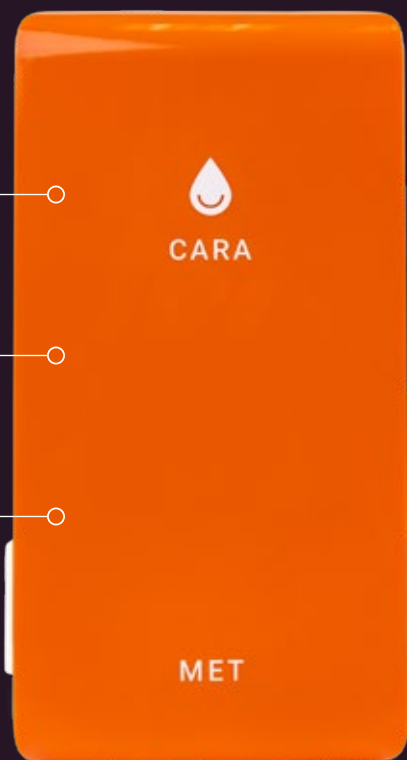


UNLOCK YOUR POTENTIAL

100% wireless

High accuracy in EC range
from 0-12

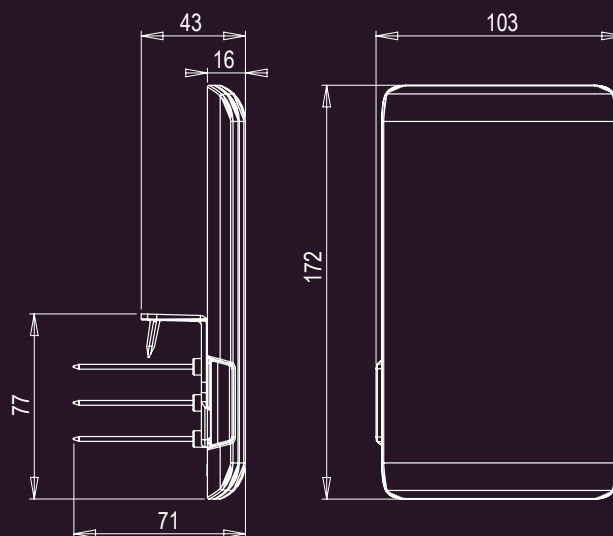
Connected with leading data
platforms and climate computers



To measure accurately is to really know

CARA MET ROOT ZONE SENSOR

Measurements	Moisture Content (MC), Electrical Conductivity (EC) and Temperature (T)	
Measurement volume	±45 cm ³	
Communication range	Indoor	±50 m / ±164 ft (fully grown crop)
Transmitter power	10 dBm	
Frequency	Depends on region	
Volumetric Moisture Content (VMC)	Range	0.0–1.0 m ³ /m ³ (Soilless media)
	Resolution	0.001 m ³ /m ³
	Accuracy	±0.025 m ³ /m ³ typical
Apparent dielectric permittivity	Range	1 f(T) air - 80 f(T) water
	Resolution	0.01
	Accuracy	1–25 (±2.5%) 25–80 (±2%)
Temperature	Range	0–50 °C
	Resolution	0.1 °C
	Accuracy	±0.5 °C
Bulk Electrical Conductivity	Range	0–12 mS/cm (@ 25 °C)
	Resolution	0.01 mS/cm
	Accuracy	±0.5 mS/cm
Data upload interval	Default 5 minutes, other intervals under request	
Data security	End-to-end encryption	
Power supply	3xAAA alkaline batteries	
Battery lifetime @ 25 °C / 77 °F	Approx. 8 months	
Operating conditions	Temperature	0–50 °C / 23-122 °F
	Humidity	0–100%
Material	ABS	
Dimensions (L × W × D)	172 mm x 103 mm x 16 mm / 6.8" x 4.0" x 0.6"	
Weight (without batteries)	229 g	
Protection rating	IP67	
Certifications	FCC, ISED, RED	



For more information about the **CARA MET** root zone sensor, mail us at info@sensenl.com or contact us by phone at +31 (0) 85 876 8909